

cod.791M0419

RELAX P ED OP

Istruzioni di montaggio ed uso
Operation instructions
Instructions de montage et usage
Montage-und Bedienungsanleitung
Instrucciones de montaje y uso
instrucțiuni pentru montare și utilizare

IRSAP

creating your comfort

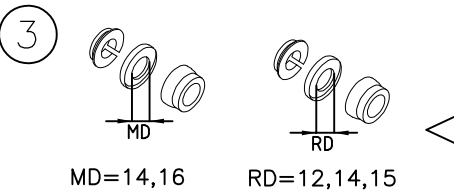
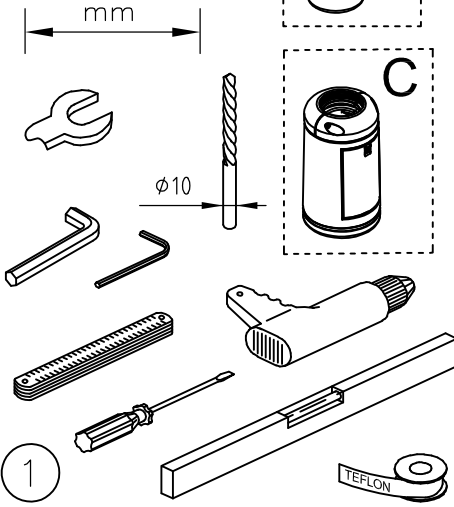
IRSAP SPA
45031 Arquà Polesine (RO) Italy
Tel. +39 0425 466611 - Fax +39 0425 466662
Website: <http://www.irsap.com>
E-mail: info@irsap.it

IR GROUP SARL
19,Chemin de la Plaine 69390 Vourles (France)
Tel. +33 04 28 00 01 67 - Fax +33 04 72 31 86 40
Web: <http://www.irsap.com>;
E-mail: irsaprhoss@irgroup.fr

IRSAP IBERICA S.L.
Oficina y Almacén: P.I.CAMI RAL
Leonardo da Vinci,4 08850 Gavà (Barcelona)
Tel. 93 633 47 00 - Fax 93 633 47 04
E-mail: www.informacion@irsap.com
www.irsap.com

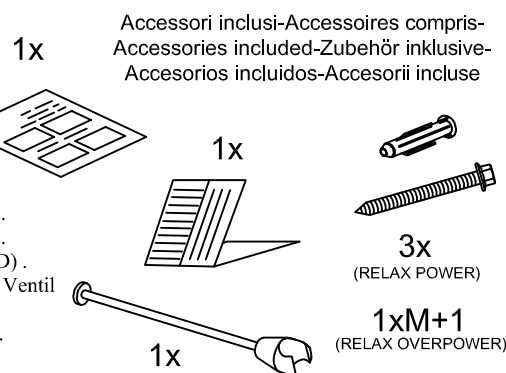
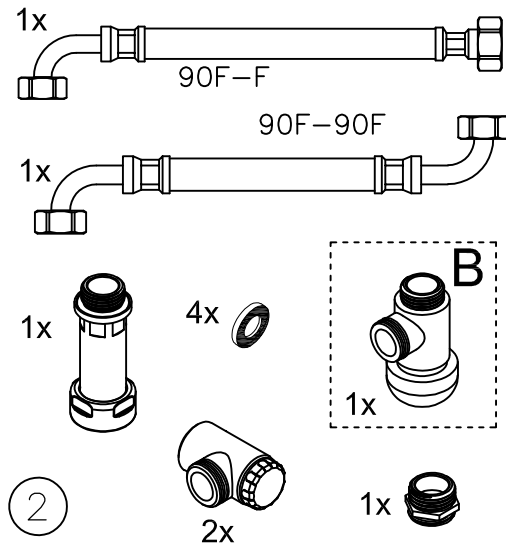
IRROM Industrie S.R.L.
Str. Principală 1/A, Sat Fundătara, Iclod 407336,
jud. Cluj, România
Tel: +40 (0)264 263400 - Fax: +40 (0)264 263404
Web: www.irsap.ro

Accessori non inclusi-
Accessoires non compris-
Accessories not included-
Zubehör nicht inklusive-
Accesorios no incluidos-
Accesorii neincluse

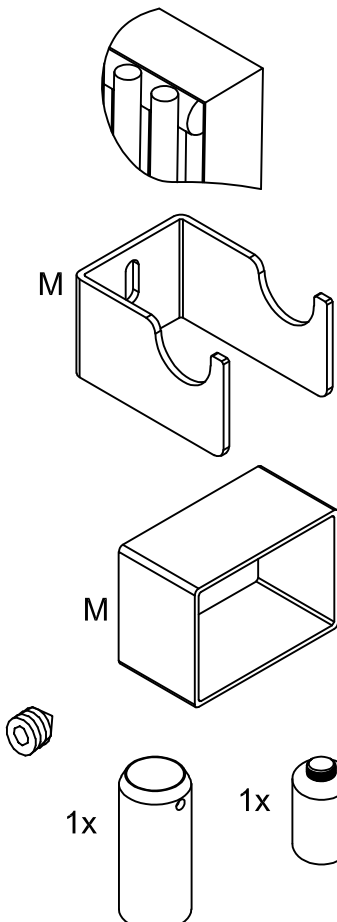


MD=14,16 RD=12,14,15
Raccordi multistrato (MD) e per tubo rame (RD).
Coupling multilayer (MD) rings for copper (RD).
Raccords tuyau multicouches (MD) en cuivre (RD).
Kupferrohrverschraubungen multilayer (MD) für Ventil und Ausgangsventil (RD).
Conexiones multicapa (MD) tubo de cobre (RD).
Cuplaj multistrat (MD) tub aramă (RD)

Kit idraulico incluso-Kit hydraulique compris
Hydraulic kit included-Hydrauliksatz inklusive
kit hidráulico incluidos-kit hidraulic inclus

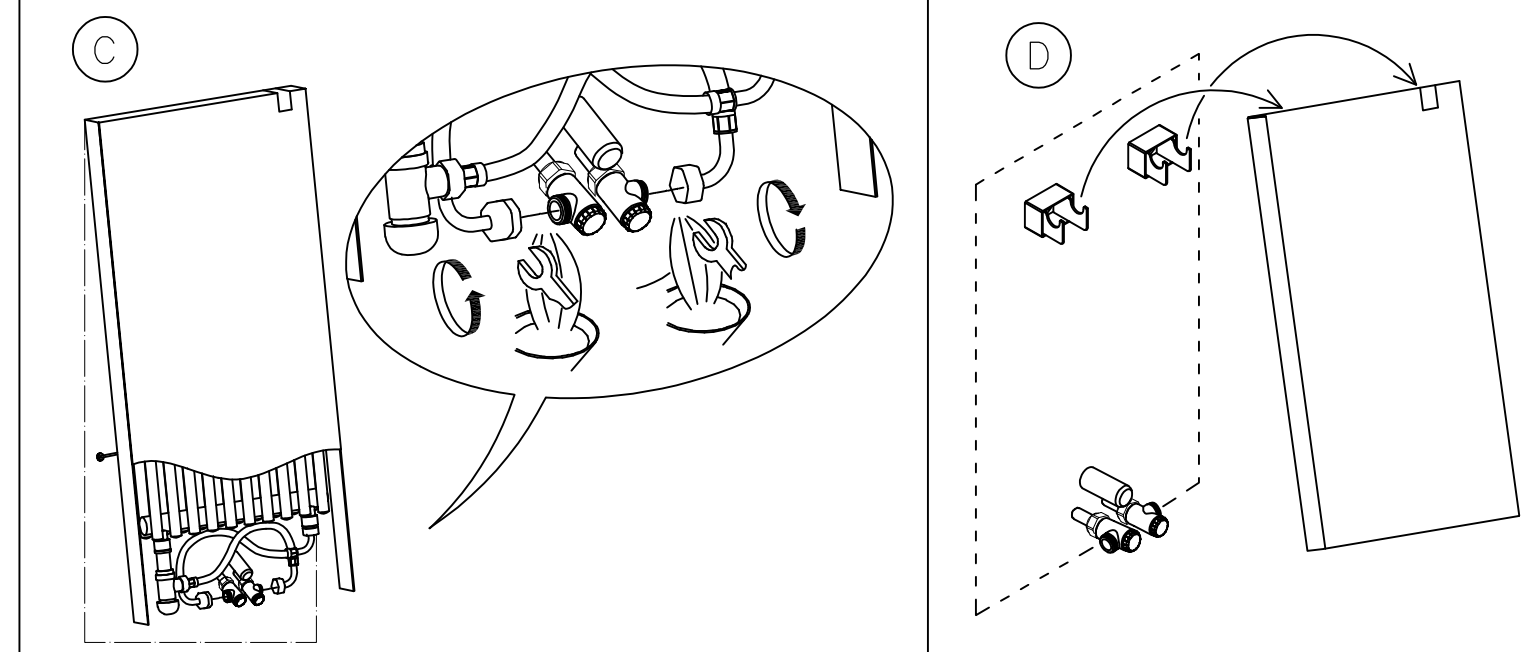
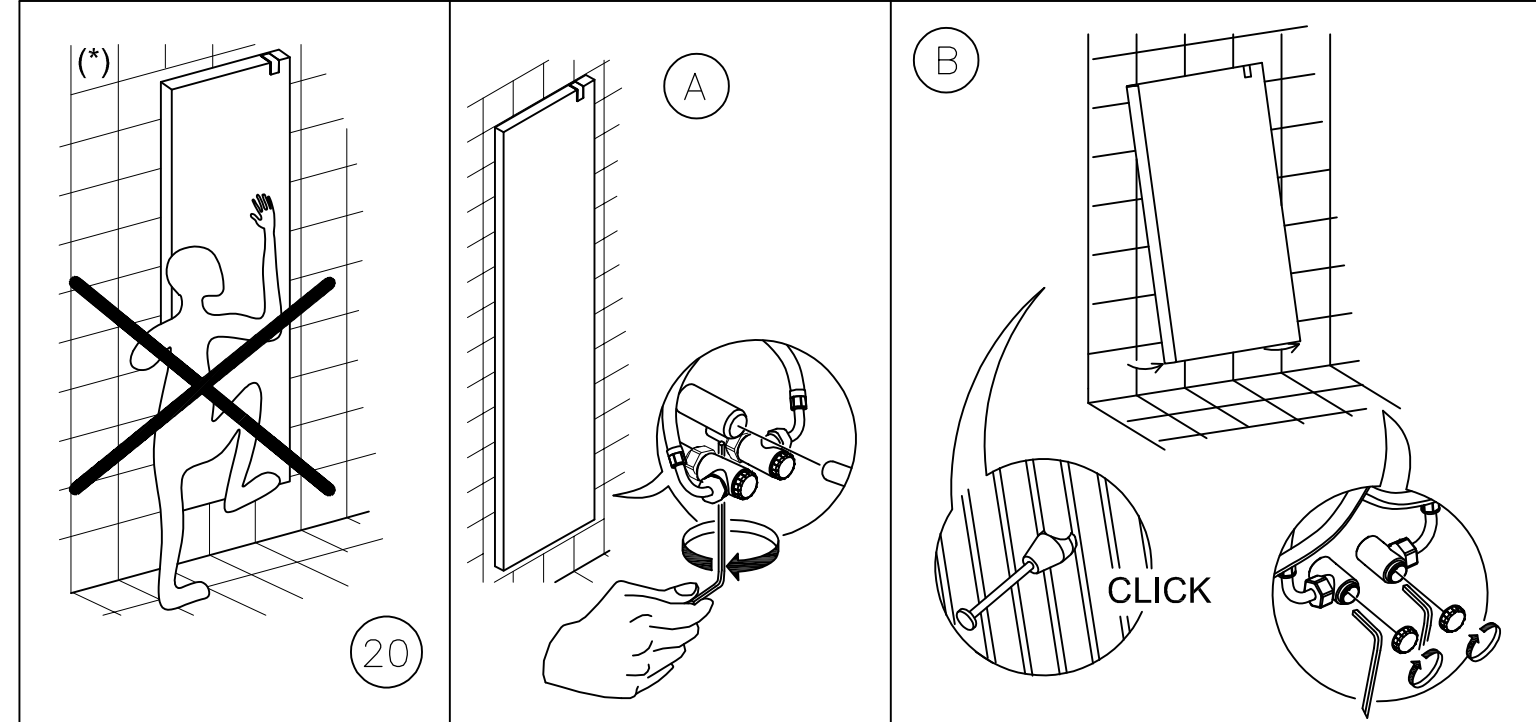


RELAX OVERPOWER

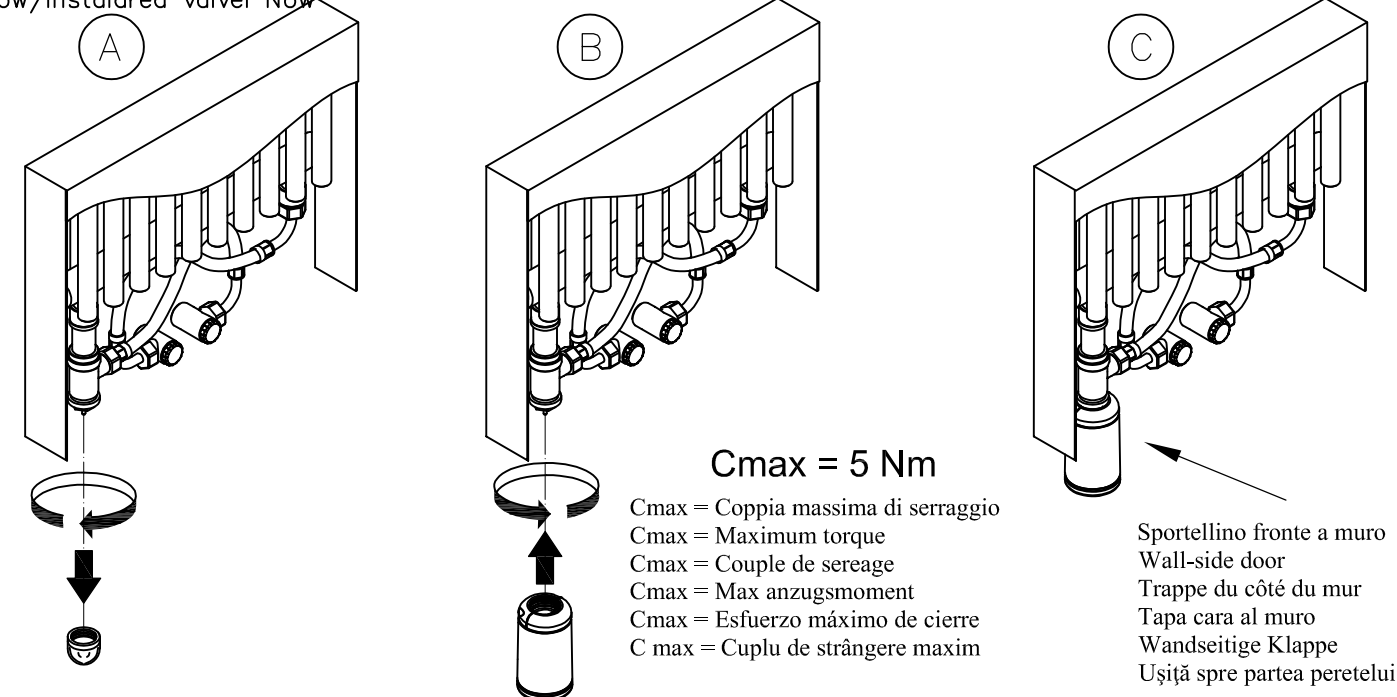


L mm	H mm	M
381	1663	2
	1963	
	2163	
517	1663	2
	1963	
	2163	3
653	688	2
	868	
	1663	3
	1963	
2163		
857	688	2
	868	
1061	688	2
	868	
1197	688	2
	868	
1401	688	3
	868	

M= Numero di mensole a parete consigliate
Number of recommended wall brackets
Nombre de consoles conseillées
Empfohlene Anzahl an Wandkonsolen
Número de soportes aconsejados
Numărul de cărlige pentru perete recomandat

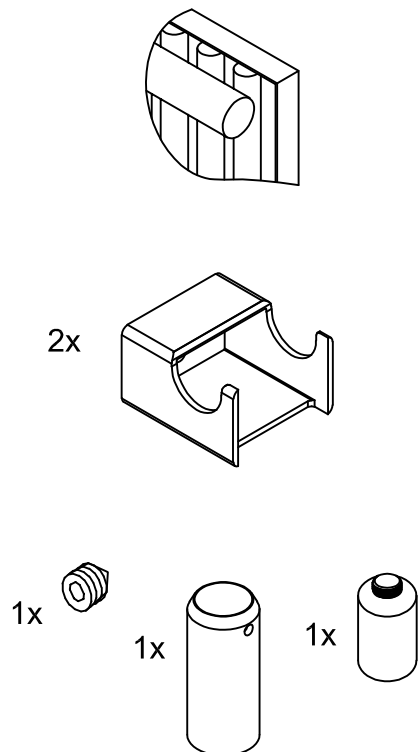


Installazione valvola Now/Now valve installation/Installation vanne Now/Instalación válvula Now/Installation Ventil Now/Instalarea valvei Now

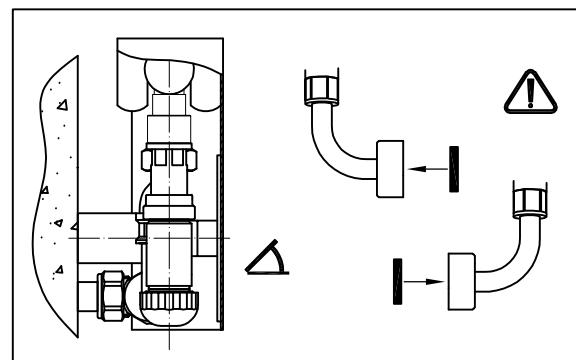
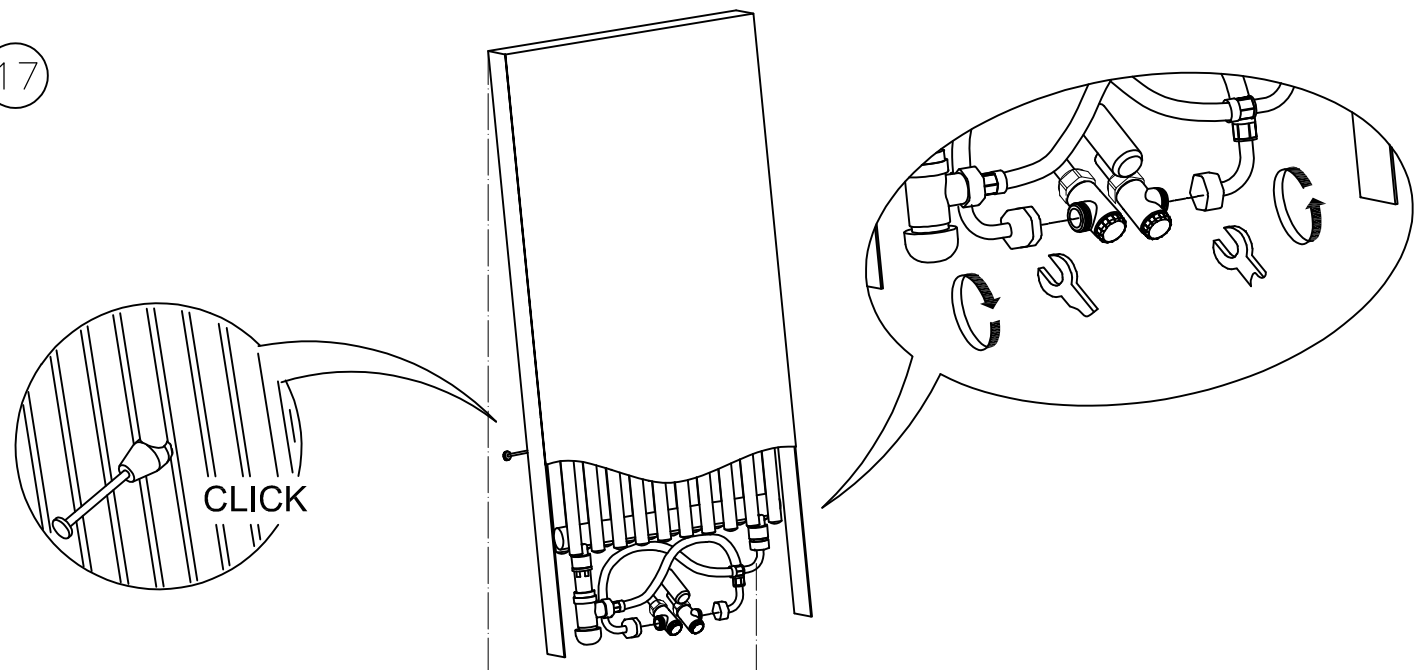


C_{max} = 5 Nm
C_{max} = Coppia massima di serraggio
C_{max} = Maximum torque
C_{max} = Couple de serrage
C_{max} = Max anzugsmoment
C_{max} = Esfuerzo máximo de cierre
C_{max} = Cuplu de strângere maxim

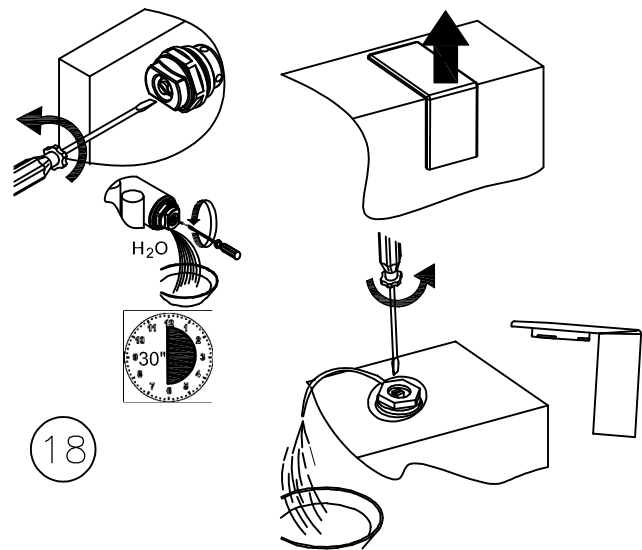
RELAX POWER



17

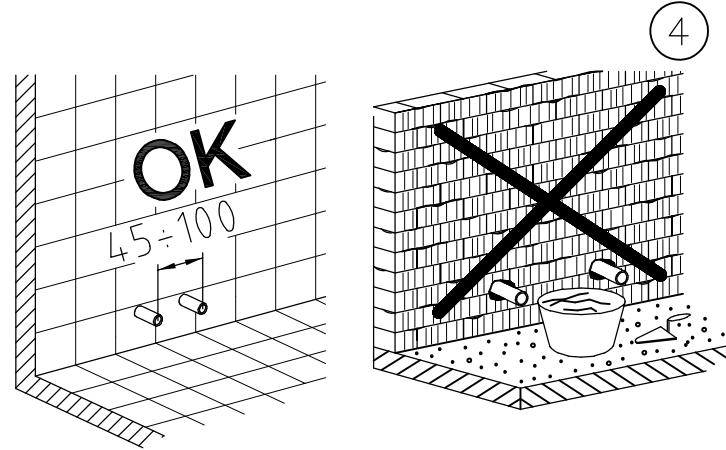
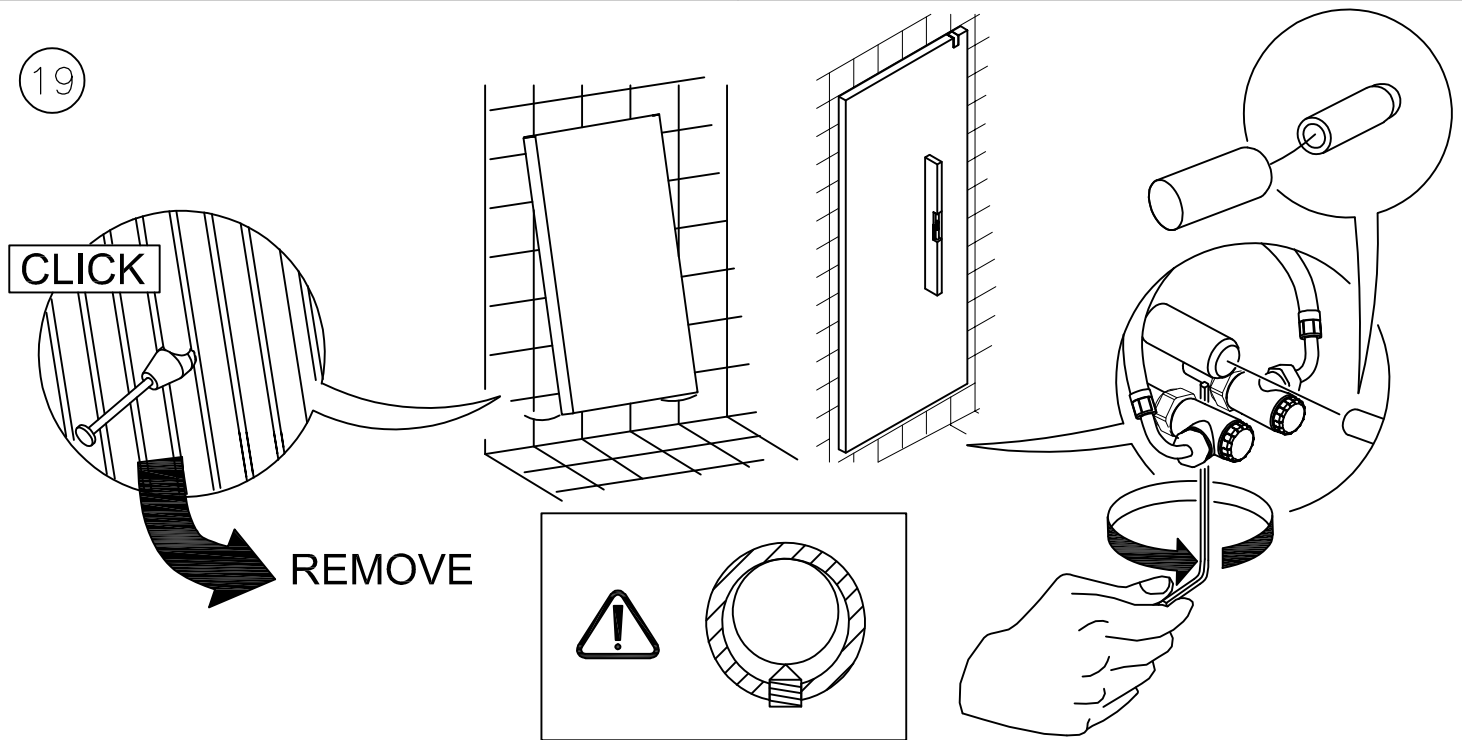


RELAX POWER RELAX OVERPOWER



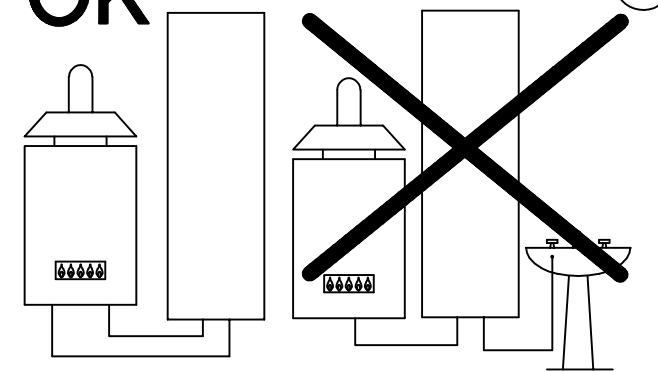
18

19

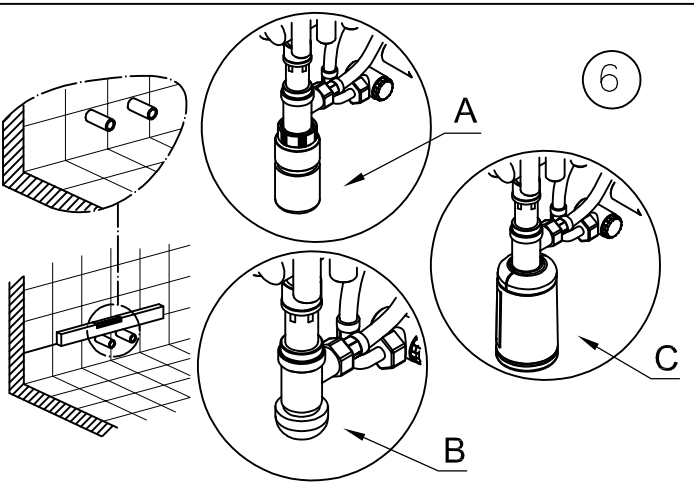


4

OK

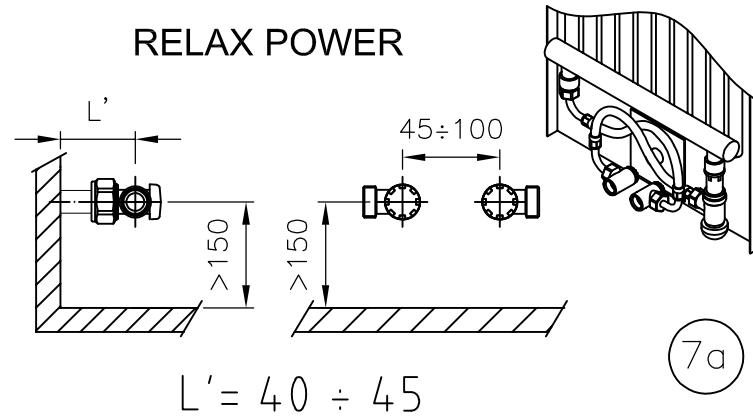


5

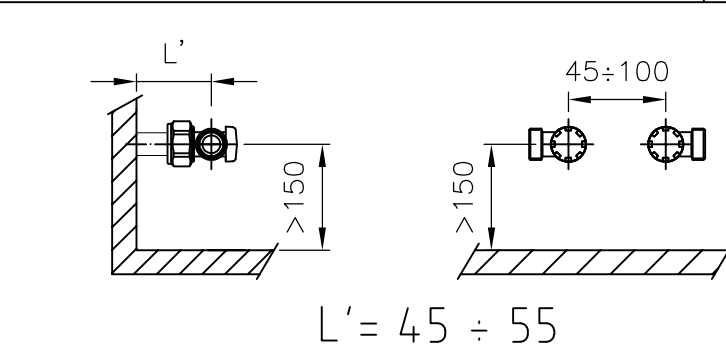


6

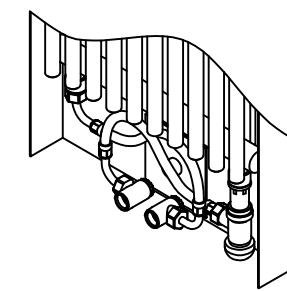
RELAX POWER



7a



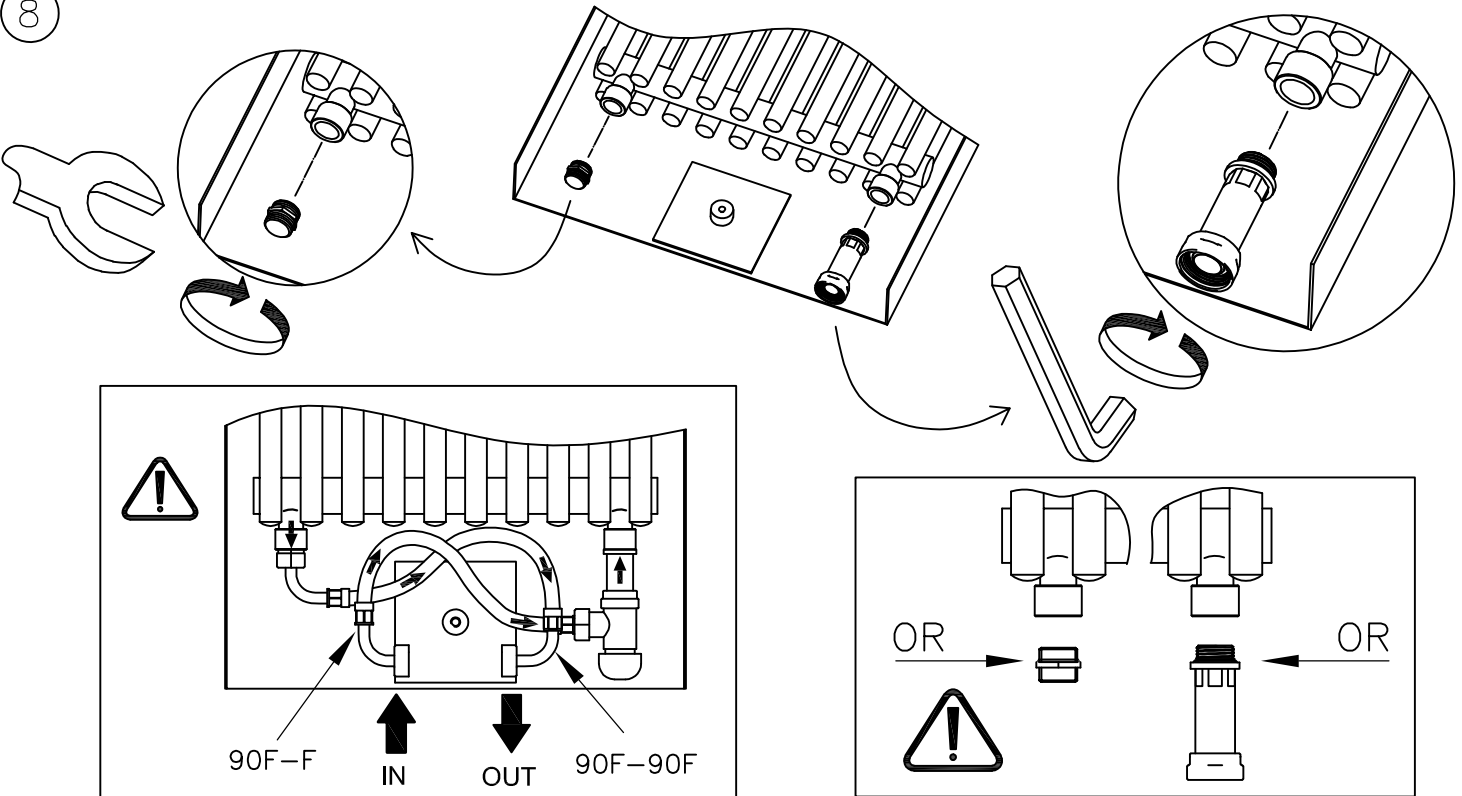
RELAX OVERPOWER



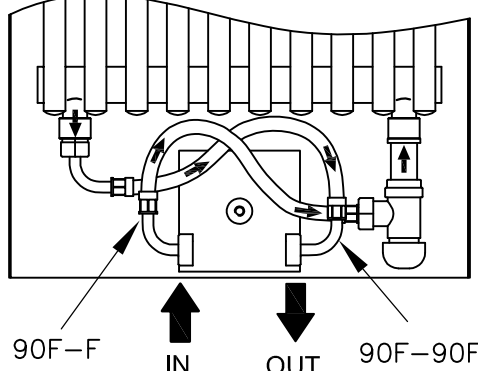
7b

(*):
 ESEMPIO CON RADIATORE
 EXEMPLE AVEC RADIATEUR
 EJEMPLO CON RADIADOR
 EXAMPEL WITH RADIATOR
 BEISPIEL MIT HEIZKÖRPER
 EXEMPLU CU CALORIFERUL

8



!



90F-F IN OUT 90F-90F

OR OR

!

